

PIR
<b>AS081</b>

IC

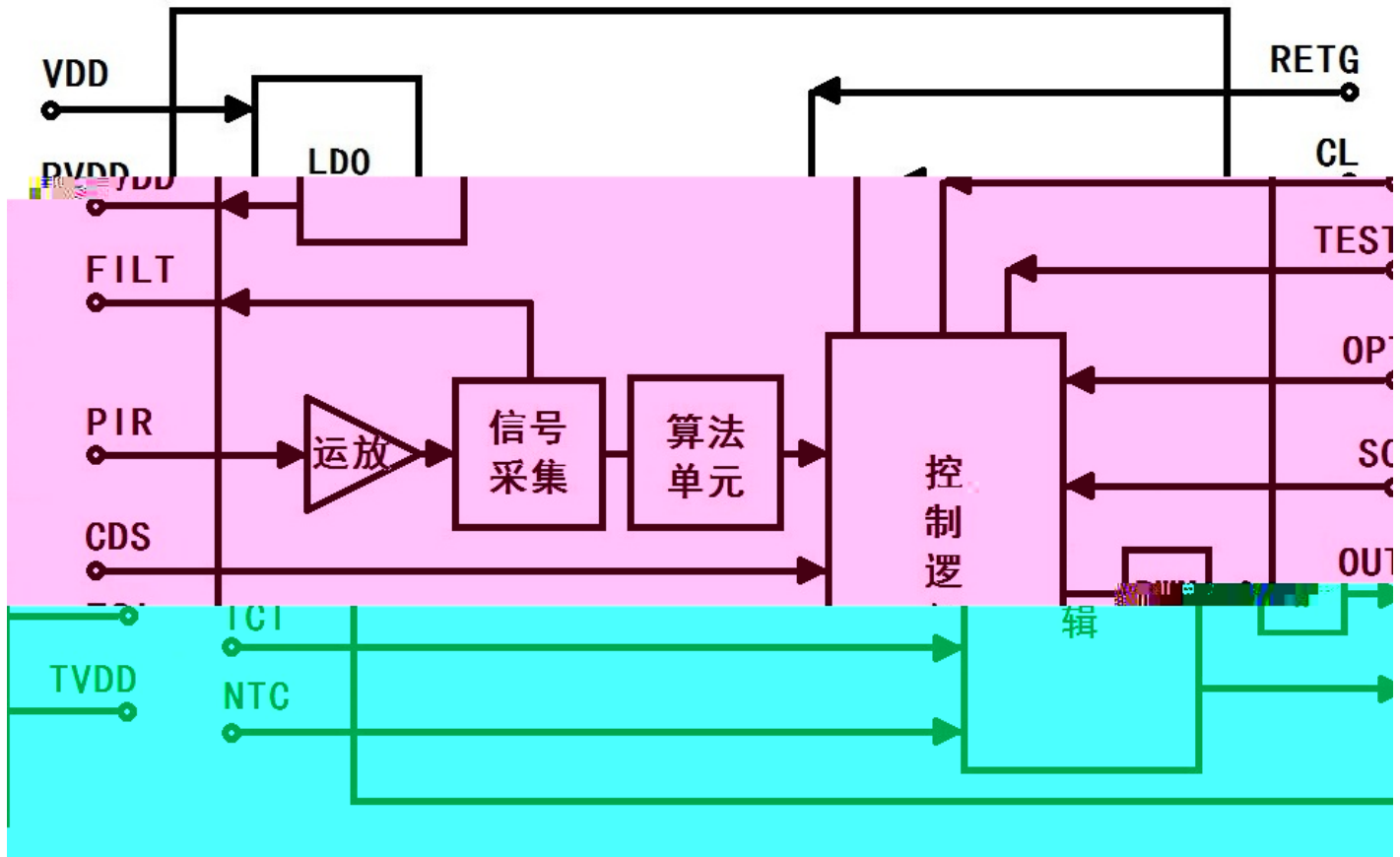
AS081 CMOS PIR Passive Infra-Red  
Mixed-mode  
AS081 PIR

- 
- PIR
- PIR
- 
- 
- 
- 
- 
- 50uA
- LED
- 
- T1
- L1 PWM LED
- 
- 
- 2262
- LED
- SSOP16
- RoHS SONY SS-00259 Apple
- 069-1857 Dell A00-00
- 
- 
- 
- 
-

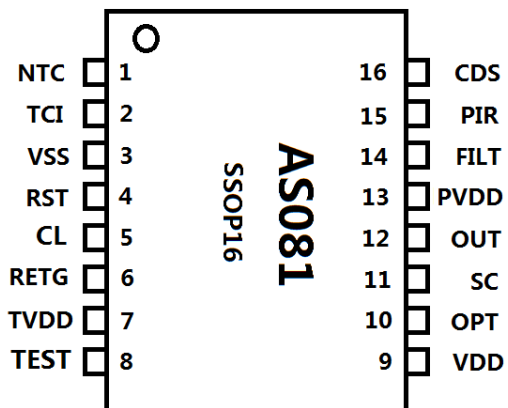
PIR
<b>AS081</b>

IC

IC



AS081 SSOP16



1	NTC	TI
2	TCI	12
3	VSS	
4	RST	
5	CL	VSS
6	RETG	S1 T1 VSS L1
7	TVDD	
8	TEST	VSS
9	VDD	
10	OPT	L1 VSS
11	SC	VSS
12	OUT	PWM IC 35
13	PVDD	PIR
14	FILT	
15	PIR	PIR
16	CDS	CDS 0.7V IC 0.7V IC R4 R4

PIR
<b>AS081</b>

**IC**

	V <sub>DD</sub>	2.8	3.3	3.6	V	—
	I <sub>DD</sub>		76	370	uA	VDD = 3.3V
V <sub>OUT</sub>	I <sub>OH</sub>			10	mA	VDD = 3.3V V <sub>OL</sub> = 0.3V
	Temp.	-40	25	85		—
	Temp.	-65	25	150		—

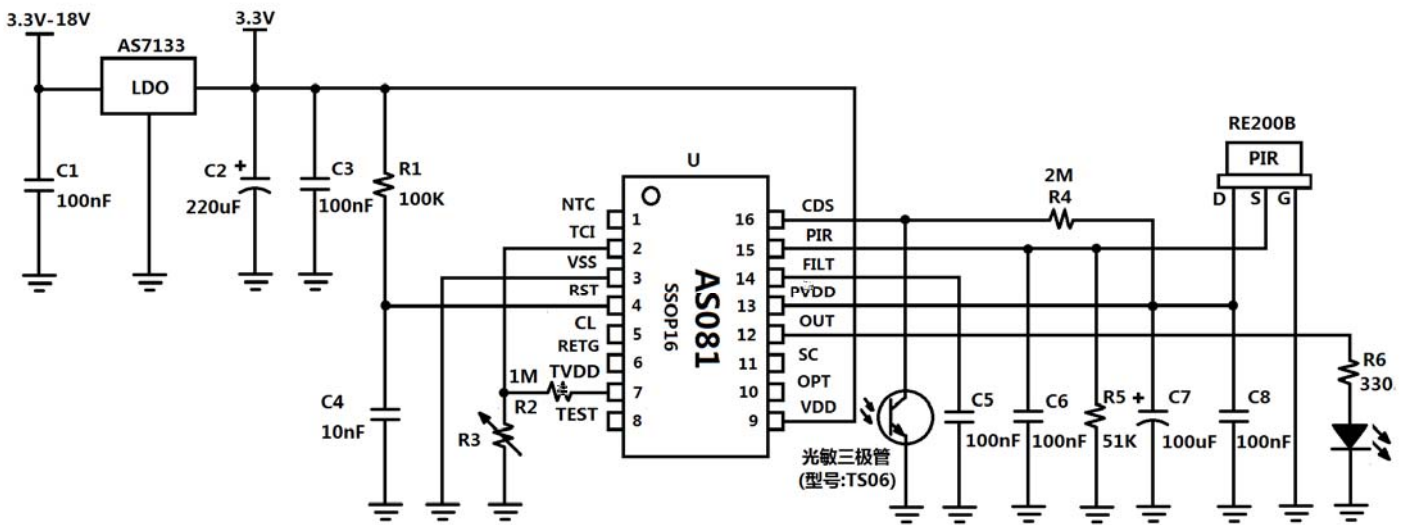
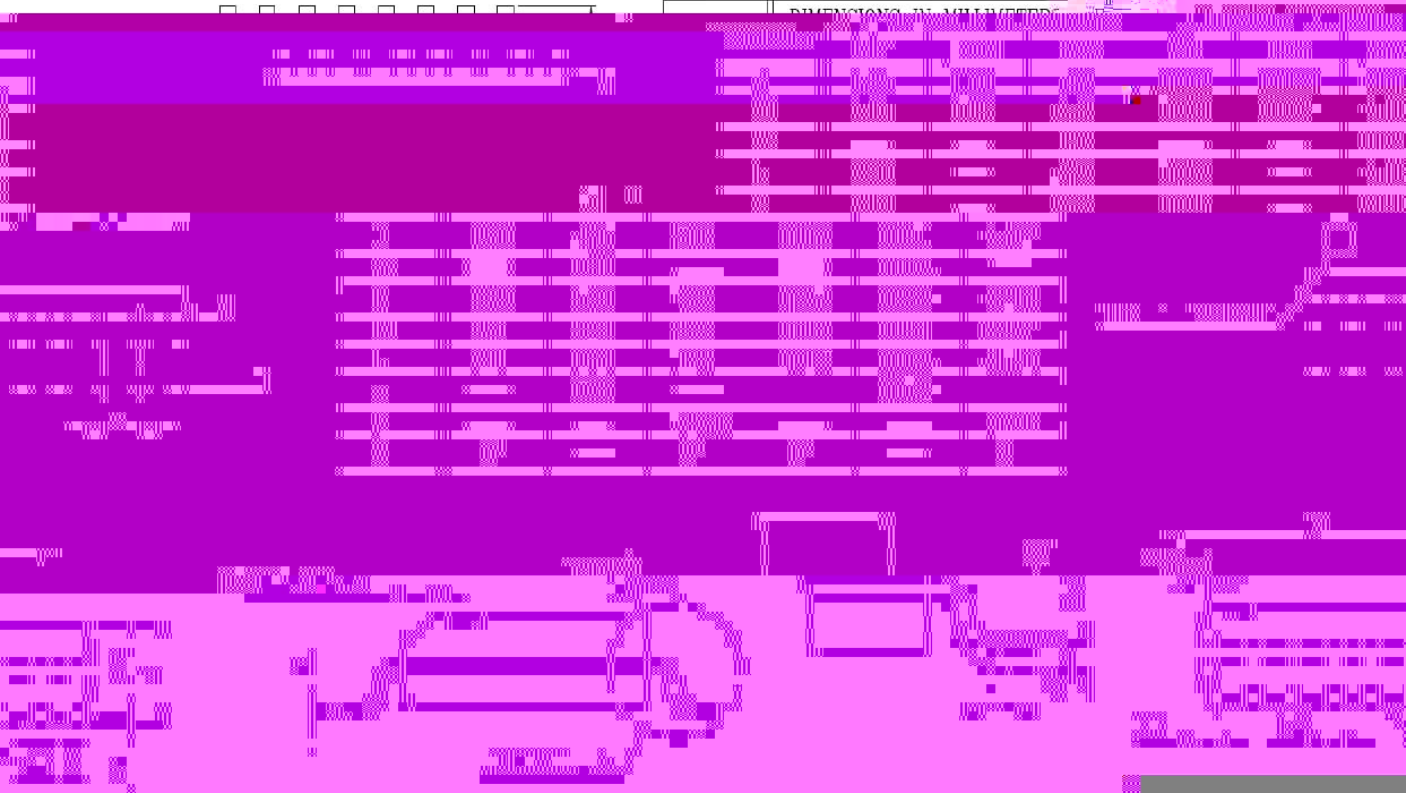
**AS081**

	SC1	S1	S2	T1	L1
					LED
	76uA	76uA	76uA	76uA	370uA
	IC 5	IC 35	IC 35	IC 35	
					PWM 10% OPT VSS
	RS	0.2	0.2 S1		0.2

PIR
<b>AS081</b>

IC

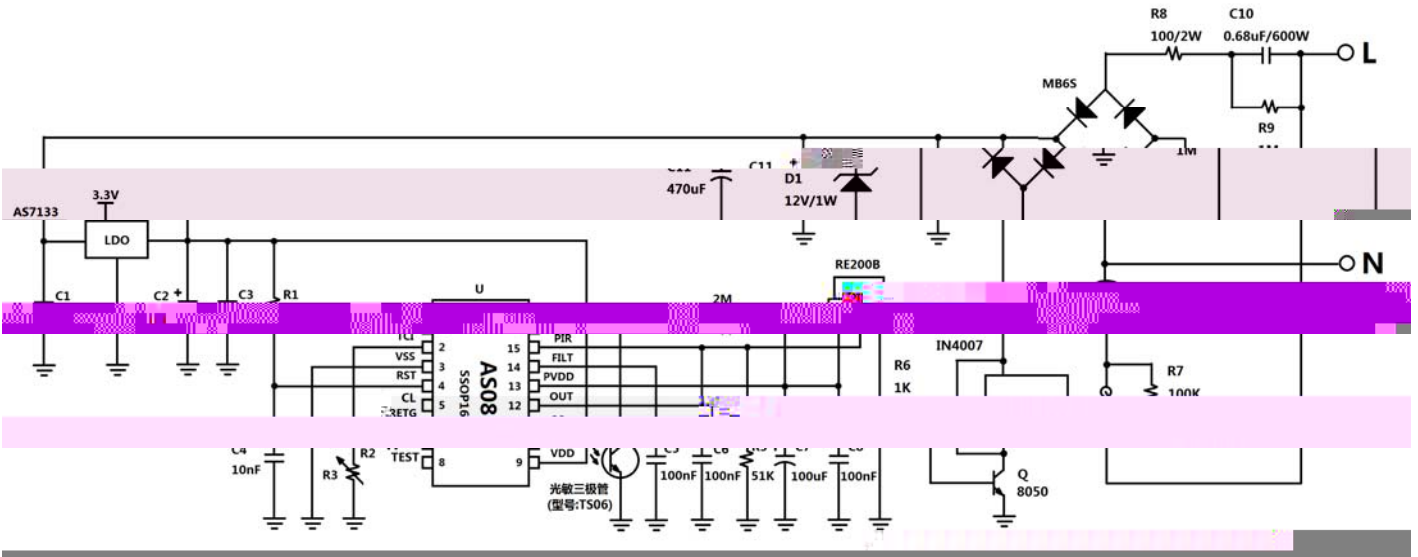
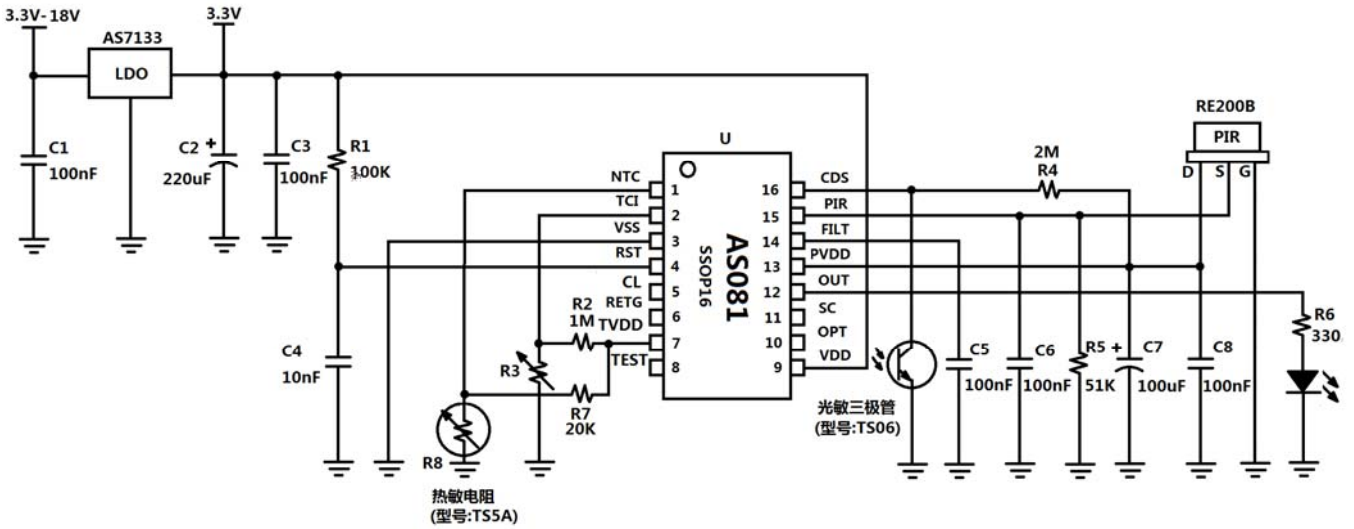
SSOP16



PIR
<b>AS081</b>

IC

T1

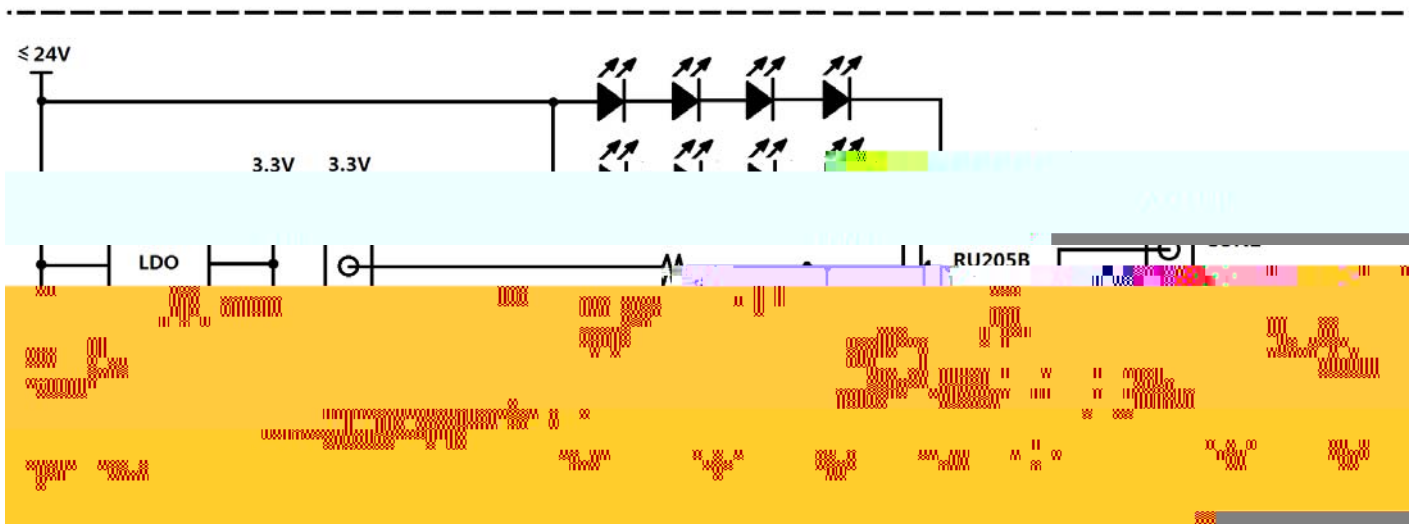
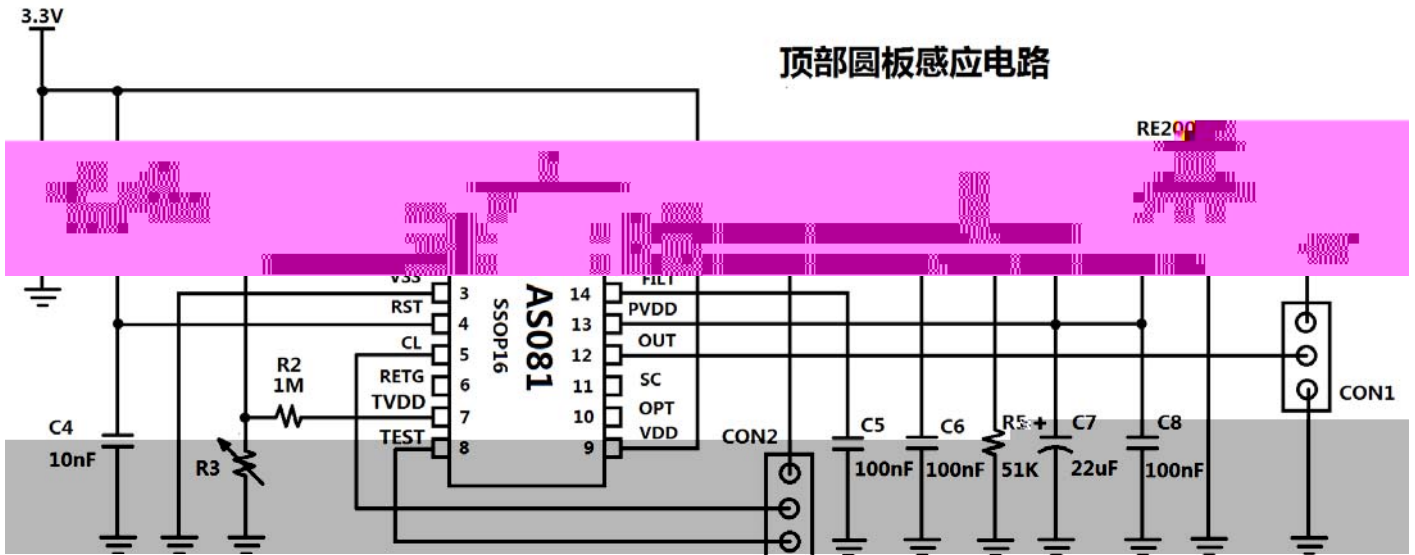


PIR
AS081

IC

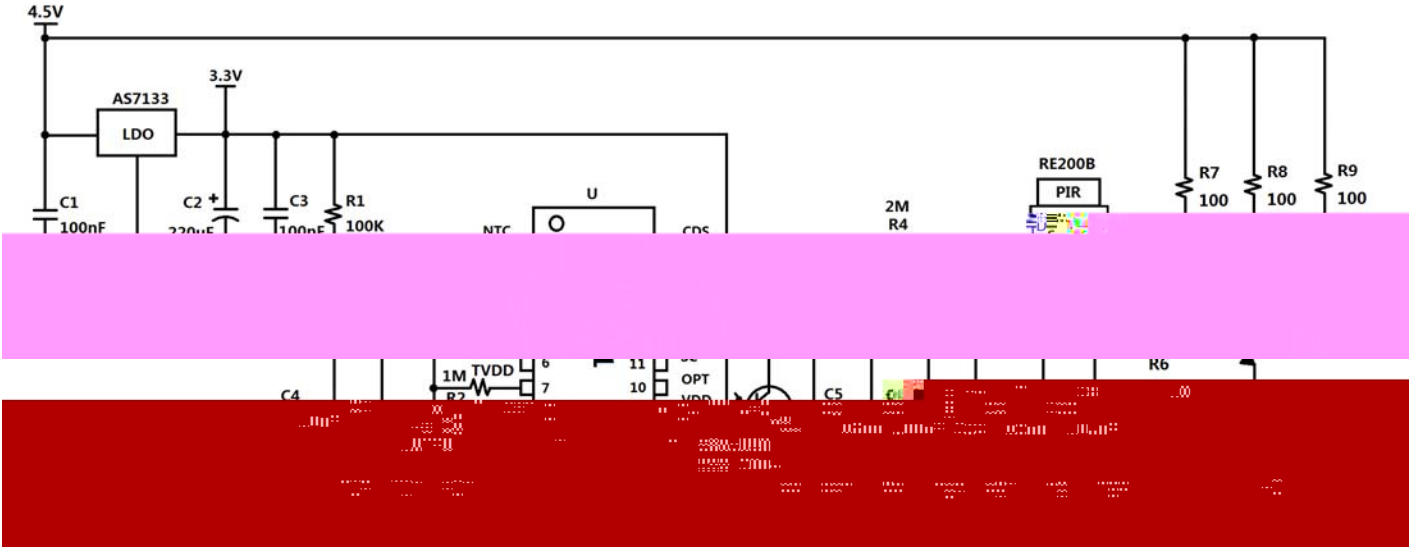
LED

顶部圆板感应电路

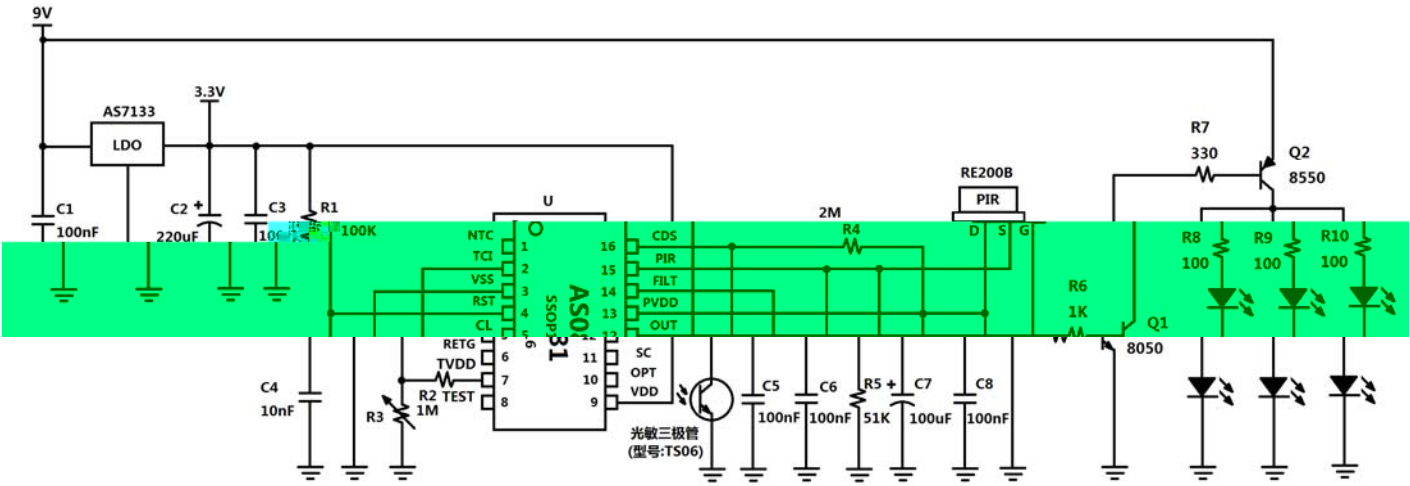


IC

**LED**



**LED**





PIR
<b>AS081</b>

IC

**R3**

**12**

R3	
2M	1
1M	5
910K	10
820K	15
750K	20
680K	30
560K	45
470K	60
390K	90
300K	120
200K	180
100K	300

VDD 3.3V

- 1 C2 47uF~220uF C7 33uF~100uF L1 C7 C7 C2
- 2 PIR SENSER AS081
- 3 PCB
- 4
- 5

PIR
<b>AS081</b>

IC

V11 25mm 3.3V + LED

LED

3.3V

