

PIR
AS083-SD1

**IC**

---

AS083-SD1 CMOS PIR Passive Infra-Red  
Mixed-mode  
AS083-SD1 PIR

PIR

PIR

1

SOP8

RoHS

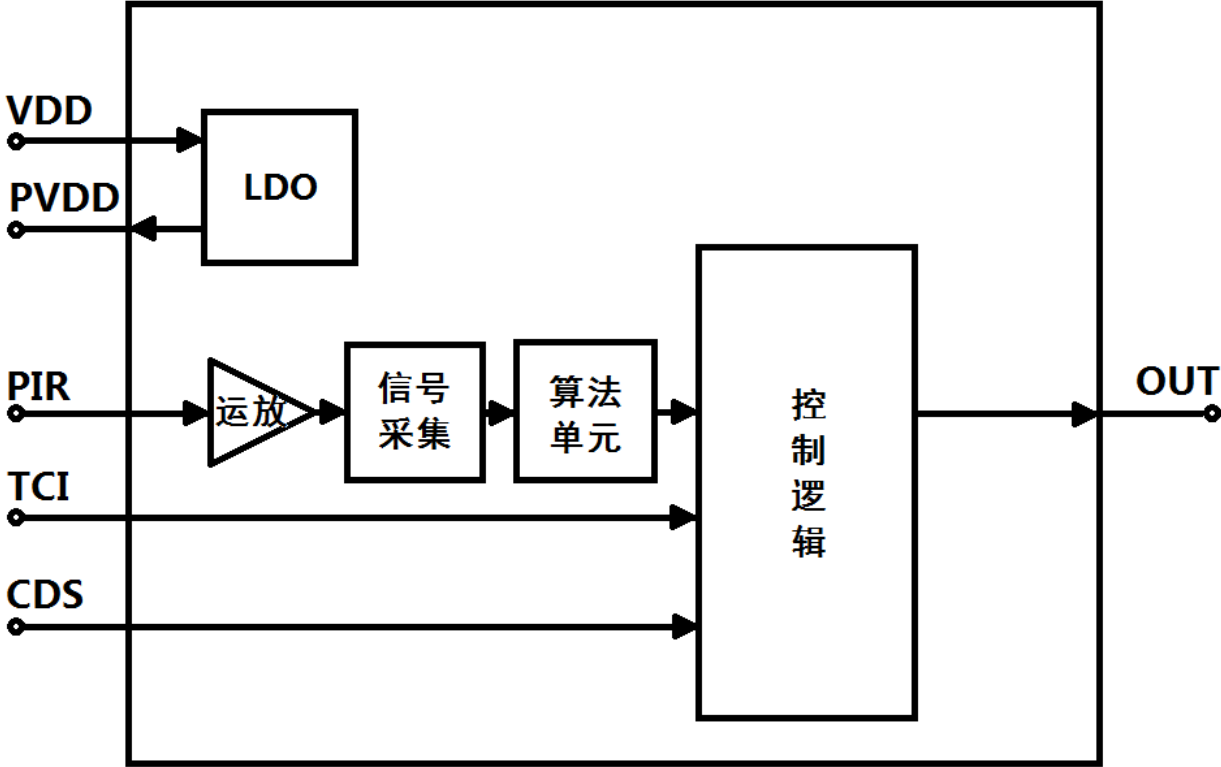
SONY SS-00259 Apple

069-1857 Dell A00-00

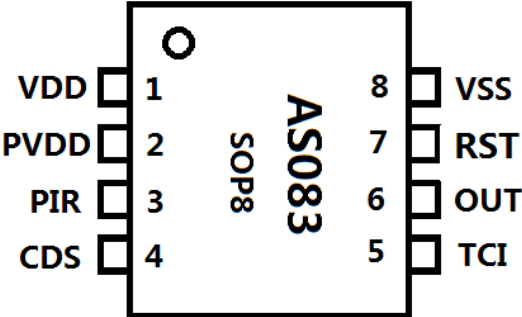
PIR
AS083-SD1

IC

IC



AS083 SOP8



PIR
AS083-SD1

**IC**

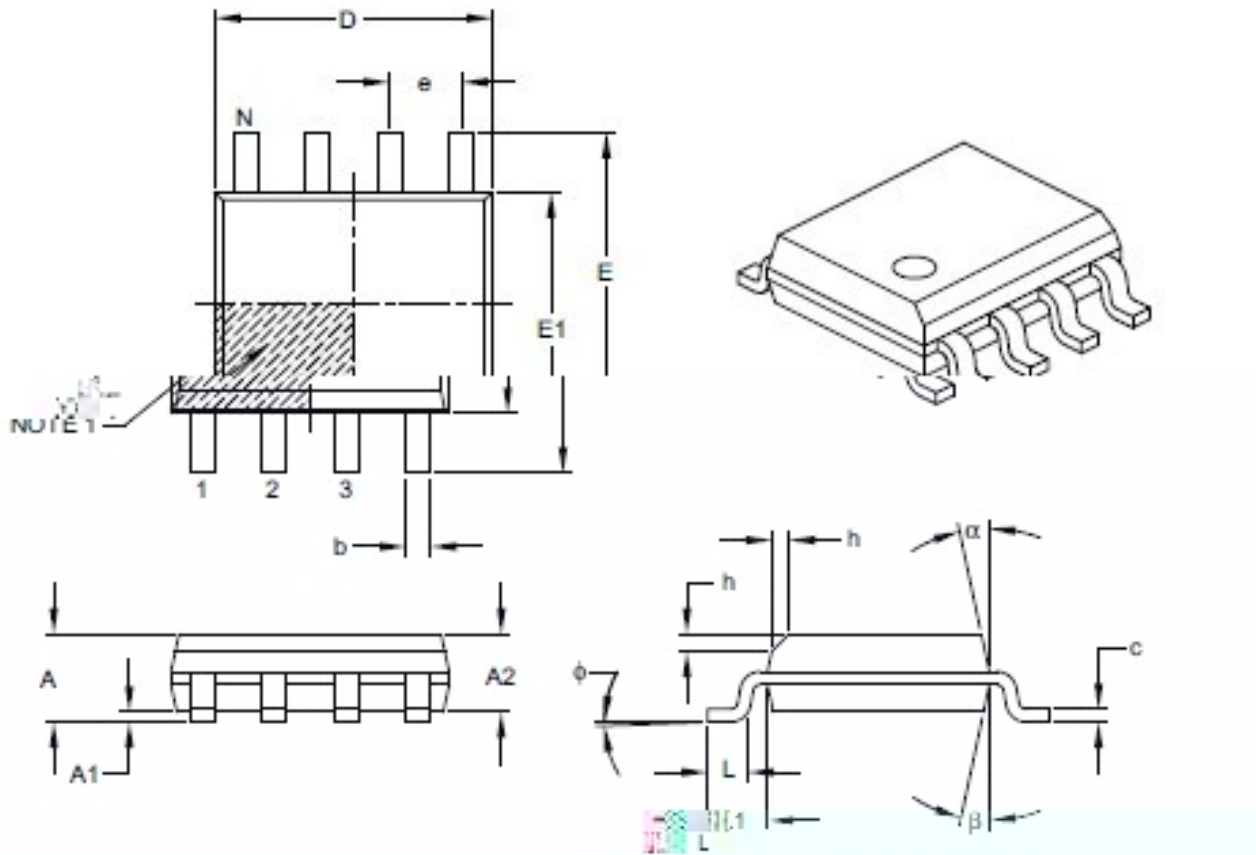
1	VDD	
2	PVDD	2.4V
3	PIR	PIR
4	CDS	CDS 1.0V IC 1.0V IC R2 R2
5	TCI	12
6	OUT	15
7	RST	
8	VSS	

	V <sub>DD</sub>	2.8	3.3	3.6	V	—
	I <sub>DD</sub>		430		uA	VDD = 3.3V
V <sub>OUT</sub>	I <sub>OH</sub>			10	mA	VDD = 3.3V V <sub>OL</sub> = 0.3V
	Temp.	-40	25	85		—
	Temp.	-65	25	150		—

PIR
AS083-SD1

IC

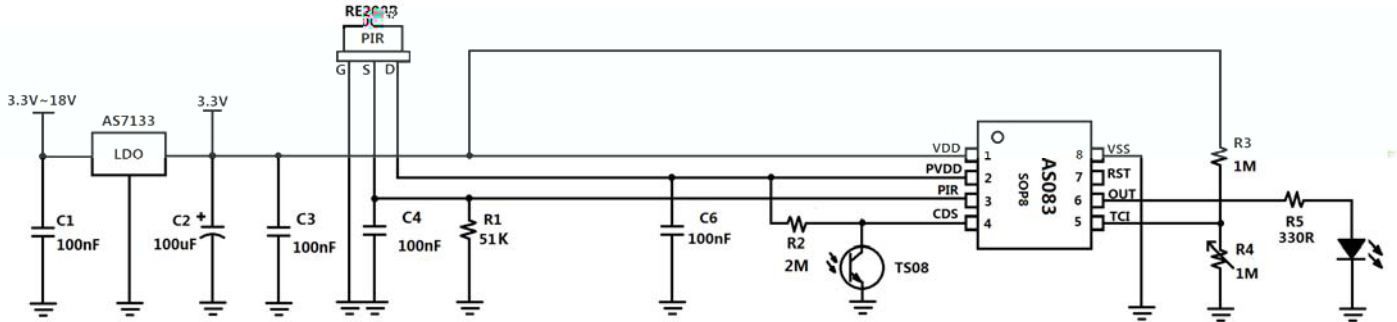
SOP8



Dimension Limits	Units	MILLIMETERS		
		MIN	NOM	MAX
Number of Pins	N	8		
Pin Pitch	e	1.27 BSC		
Standoff Height	A	-	-	1.75
Lead Package Thickness	A2	1.25	-	-
Standoff $\phi$	A1	0.10	-	0.25
Lead Width	E	6.00 BSC		
Lead Package Width	E1	3.90 BSC		
Lead Length	D	4.90 BSC		
Lead Length (optional)	h	0.25	-	0.50
Lead Length	L	0.40	-	1.27
Lead Print	L1	1.04 REF		
Lead Angle	$\phi$	0°	-	8°
Lead Thickness	c	0.17	-	0.25
Lead Width	b	0.31	-	0.51
Lead Draft Angle Top	$\alpha$	5°	-	15°
Lead Draft Angle Bottom	$\beta$	5°	-	15°

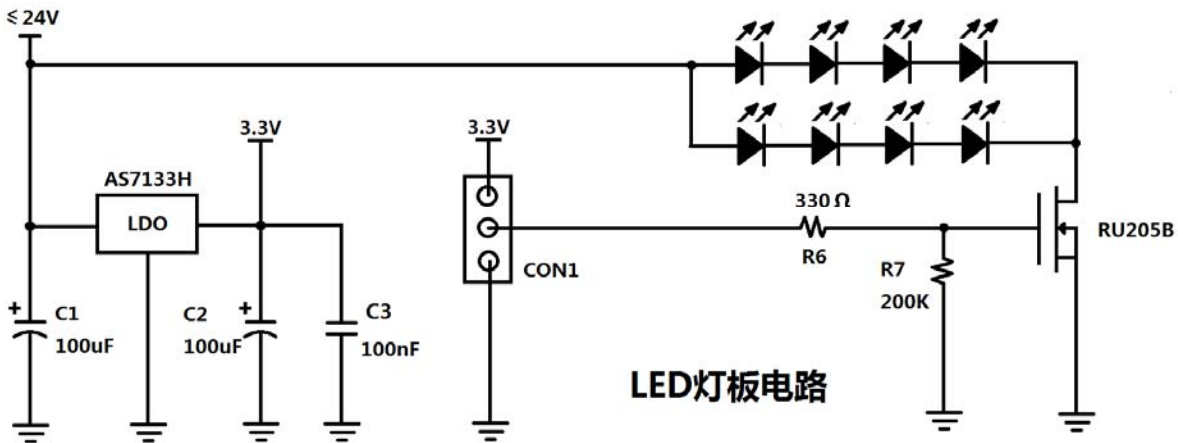
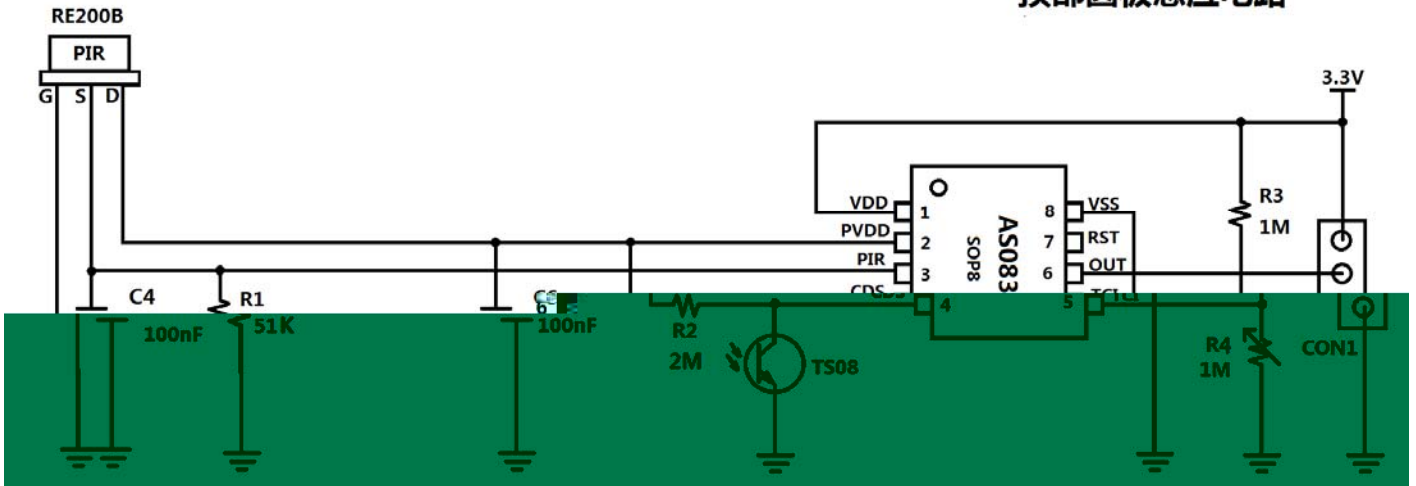
PIR
AS083-SD1

IC

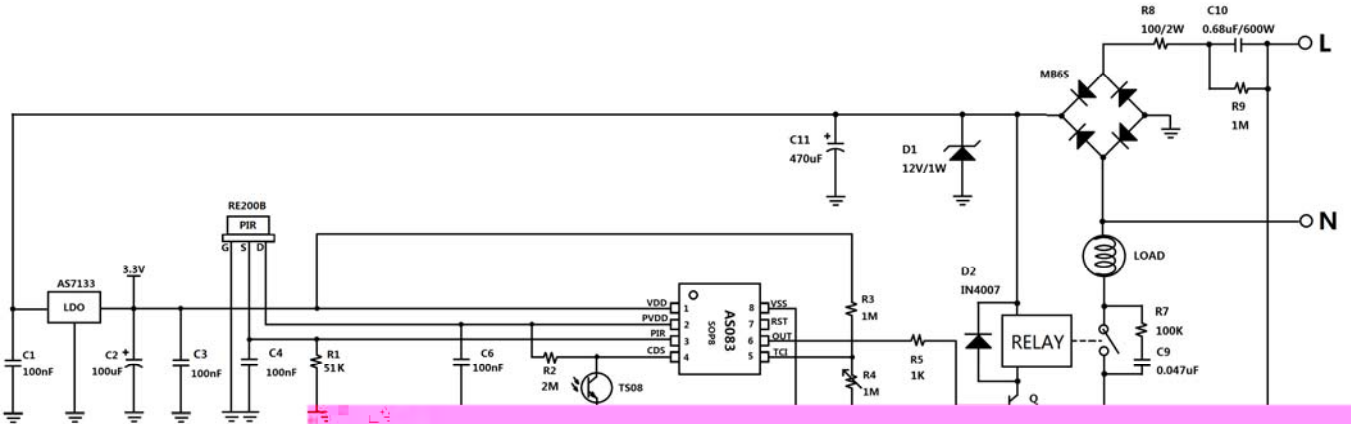


LED

顶部圆板感应电路



**IC**



**R4** **12**

R4	Ω	
2M		1
1M		5
910K		10
820K		15
750K		20
680K		30
560K		45
470K		60
390K		90
300K		120
200K		180
100K		300

VDD 3.3V

1 PIR SENSER AS083

2 PCB

3

4