



PIR
AS082

IC

AS082 CMOS PIR Passive Infra-Red
Mixed-mode
AS082 PIR

PIR

MSOP10

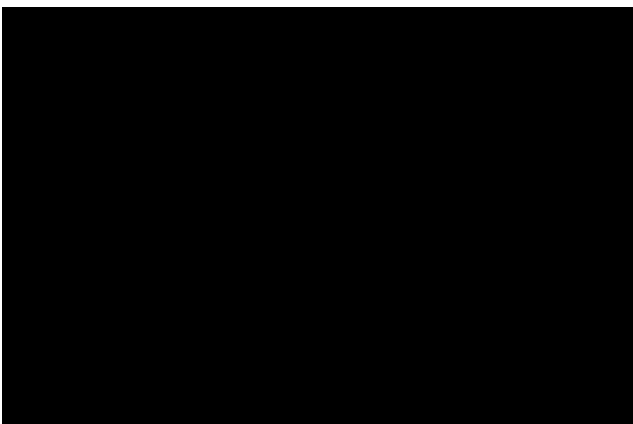
069-1857 Dell A00-00 RoHS SONY SS-00259 Apple

PIR
AS082

IC

IC

AS082 MSOP10



PIR
AS082

IC

1	OUT	PWM	IC	35
2	VDD			
3	PIR	PIR		
4	FILT			
5	PVDD	CDS		
6	VSS			
7	TCI		12	
8	RST			
9	RETG	S1 VSS	RETG	
10	CDS	CDS 0.7V IC	0.7V IC R4	R4

	V _{DD}	2.8	3.3	3.6	V	—
	I _{DD}	45	72	370	uA	V _{DD} = 3.3V
V _{OUT}	I _{OH}			10	mA	V _{DD} = 3.3V V _{OL} = 0.3V
	Temp.	-40	25	85		—
	Temp.	-65	25	150		—

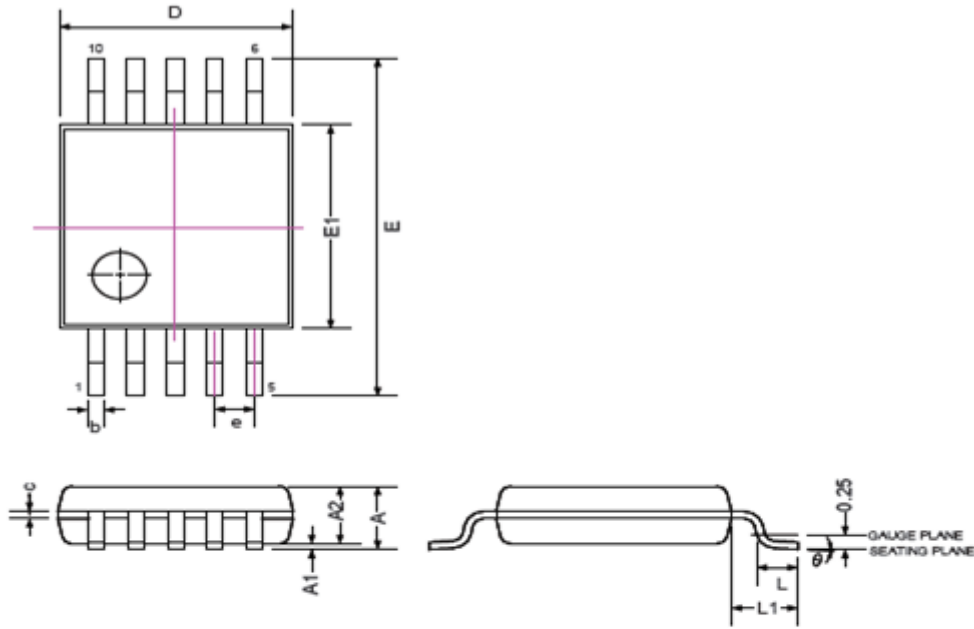
PIR
AS082

IC

AS082

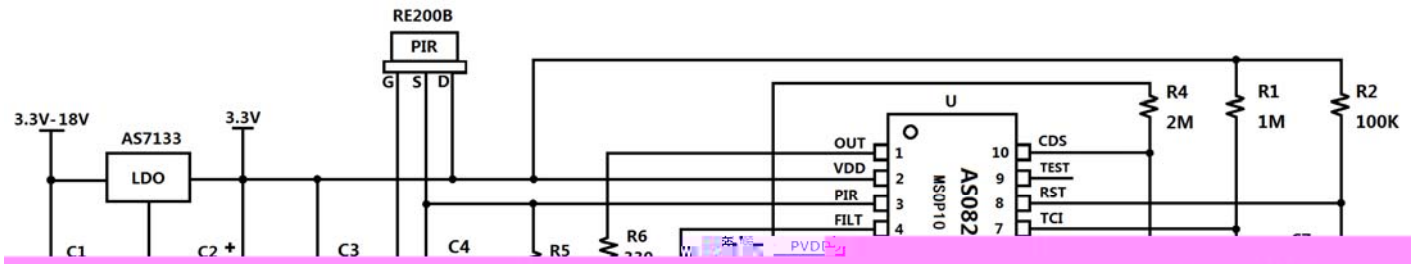
	S1	S2	SC1
	70uA	70uA	76uA
	IC 35	IC 35	IC 5
	200mS	200mS	RS

MSOP10



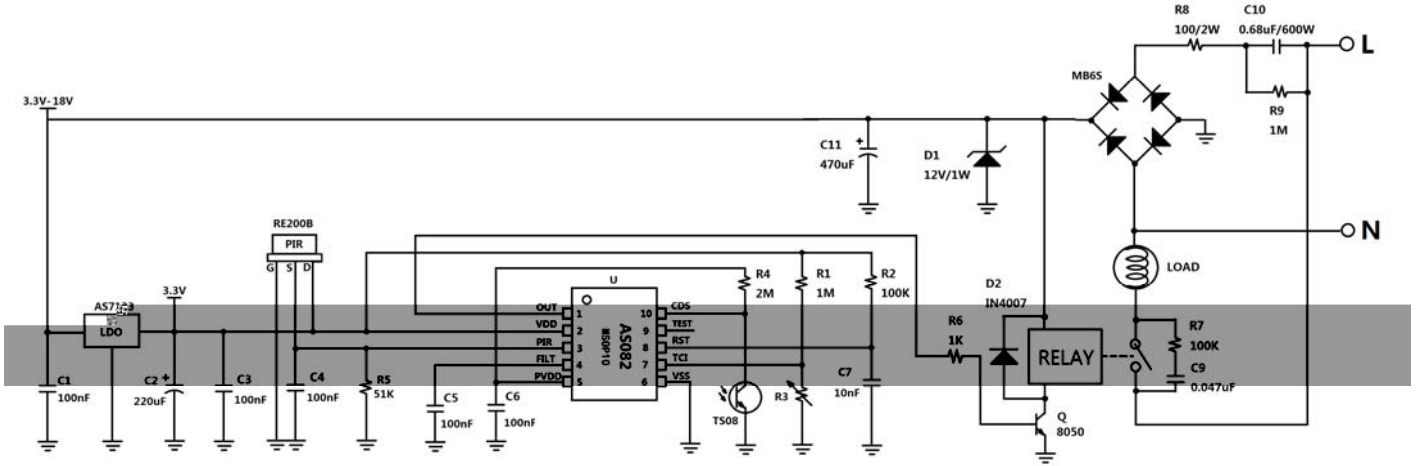
SYMBOLS	MIN	NOM	MAX
A	-	-	1.10
A1	0.00	0.10	0.15
A2	0.75	0.85	0.95
b	0.17	0.20	0.27
c	0.08	0.15	0.23
D	3.00 BASIC		
E1	3.00 BASIC		
E	4.90 BASIC		
L	0.40	0.60	0.80
L1	0.95 REF		
e	0.50 BASIC		
θ°	0	-	8

*Note:
1.All dimensions refer to JEDEC OUTLINE MO -187.
2.Do not include Mold Flash or Protrusions.



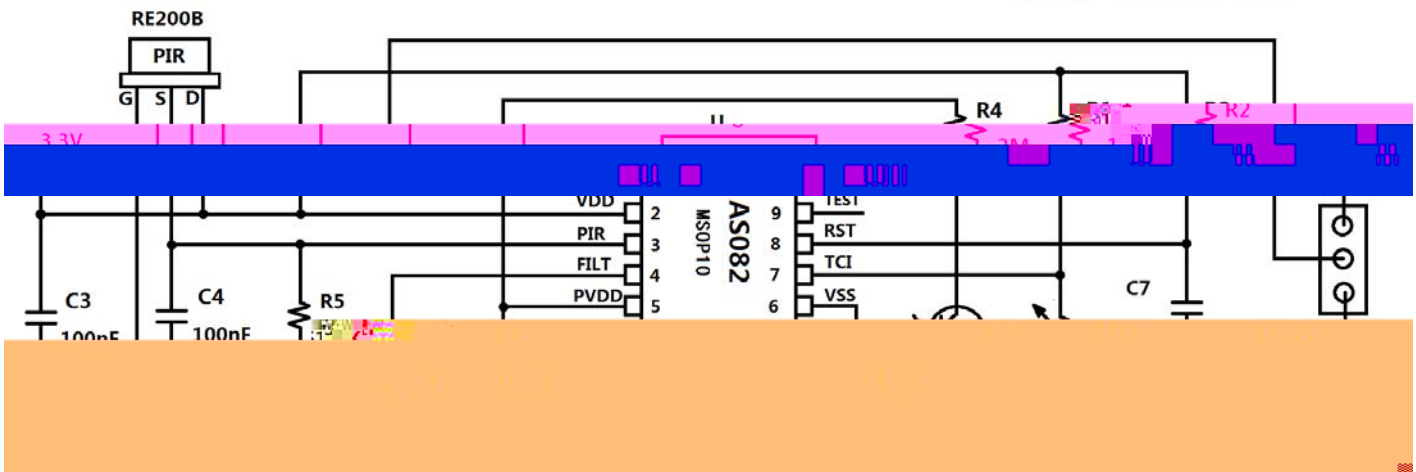
PIR
AS082

IC

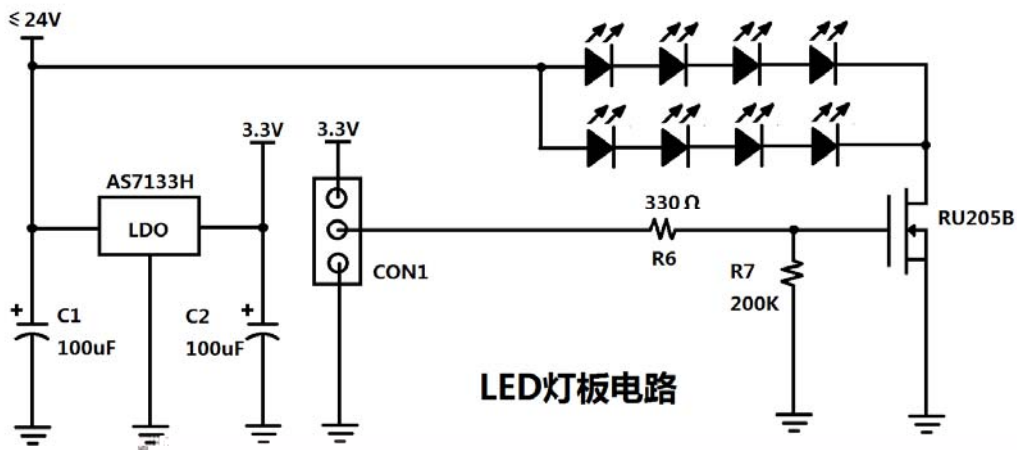


LED

顶部圆板感应电路



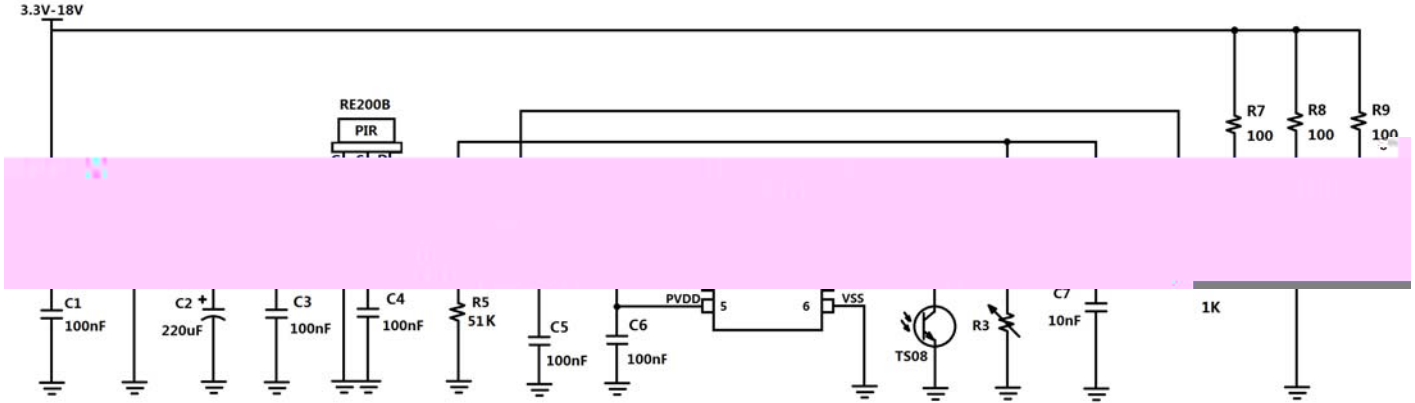
LED灯板电路



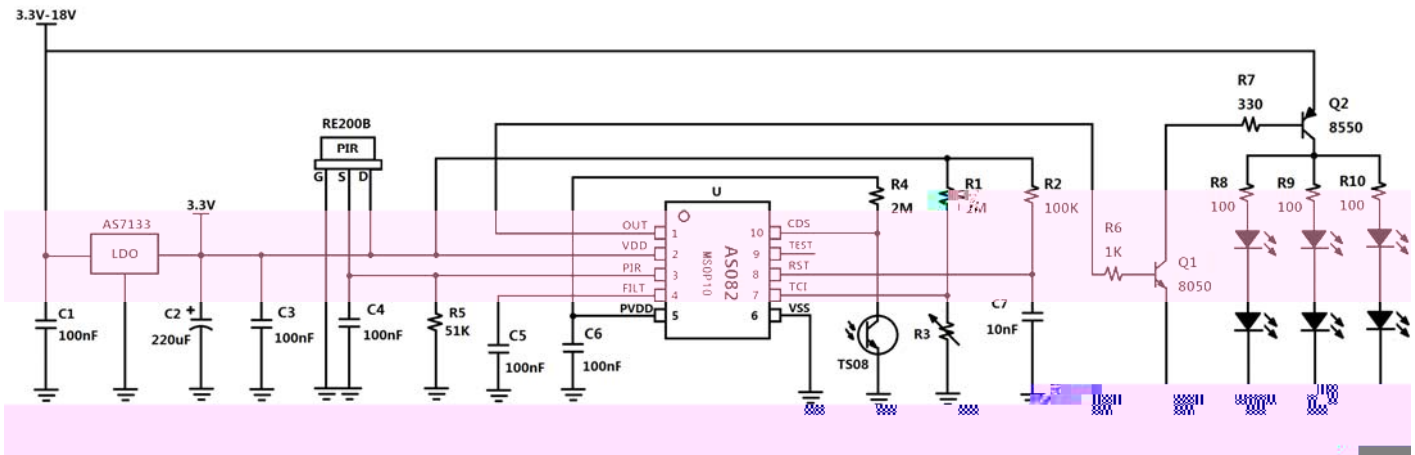
PIR
AS082

IC

LED



LED



PIR
AS082

IC

R3

12

R3	
2M	1
1M	5
910K	10
820K	15
750K	20
680K	30
560K	45
470K	60
390K	90
300K	120
200K	180
100K	300

VDD 3.3V

1 PIR SENSER AS082

2 PCB

3

4

PIR
AS082

IC

V1 25mm 3.3V + LED

LED

3.3V

