

PIR

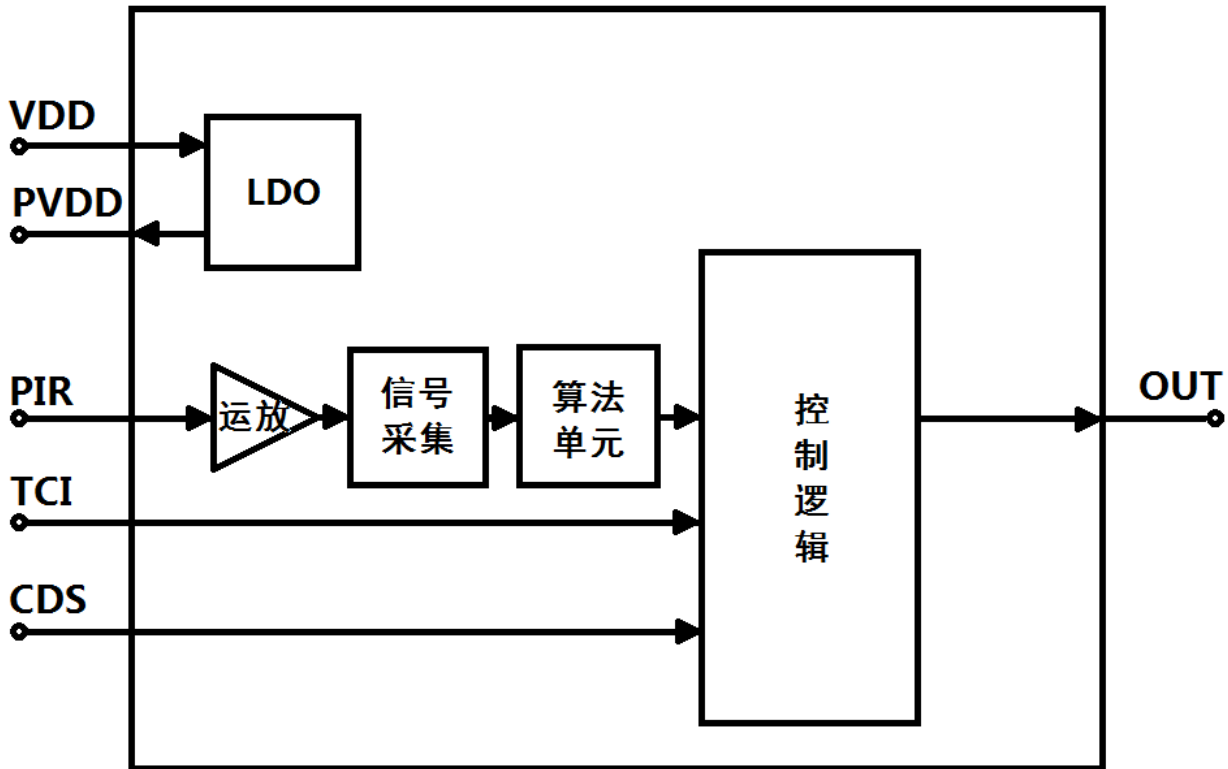
AS083-SS1

IC

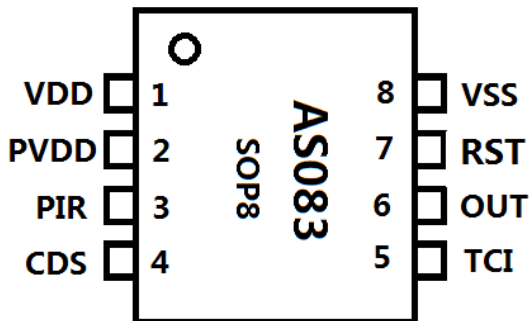
PIR
AS083-SS1

IC

IC



AS083 SOP8





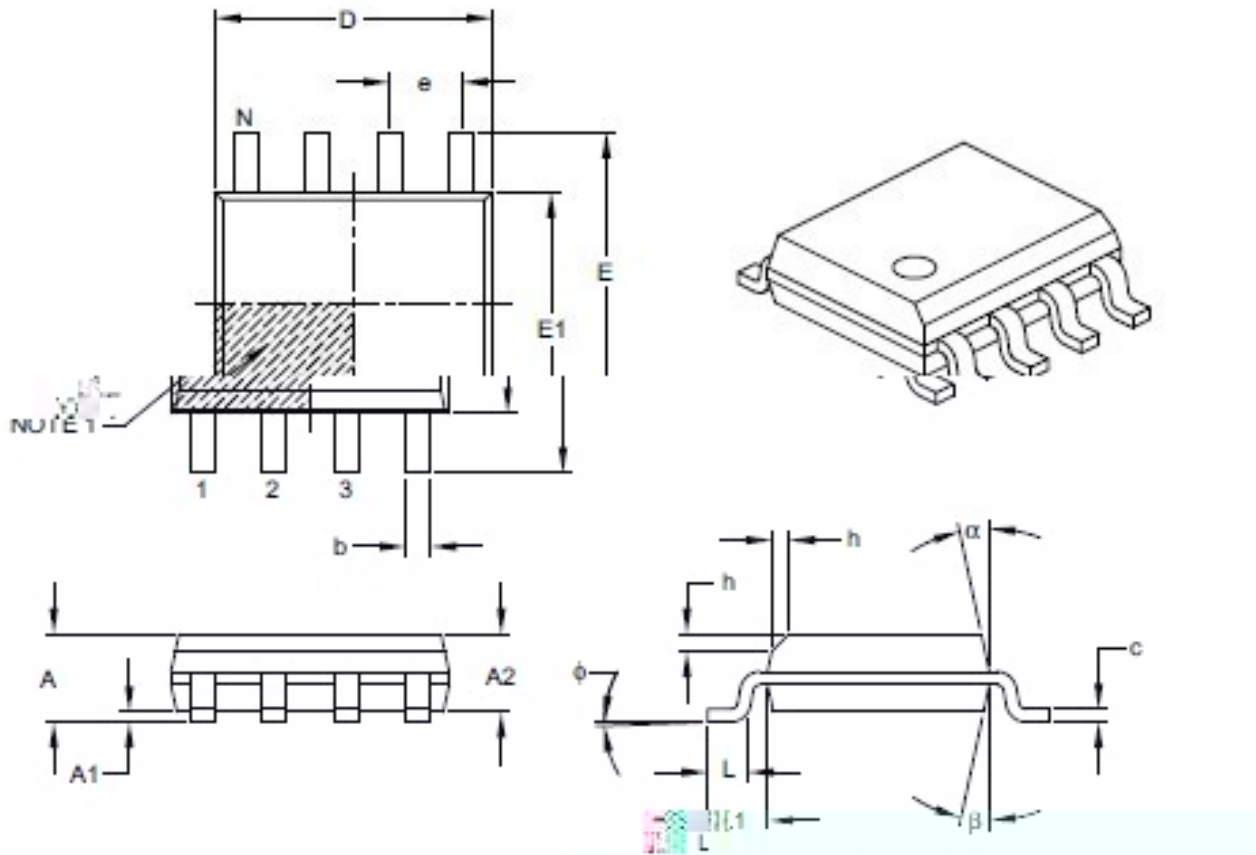
PIR
AS083-SS1

IC

PIR
AS083-SS1

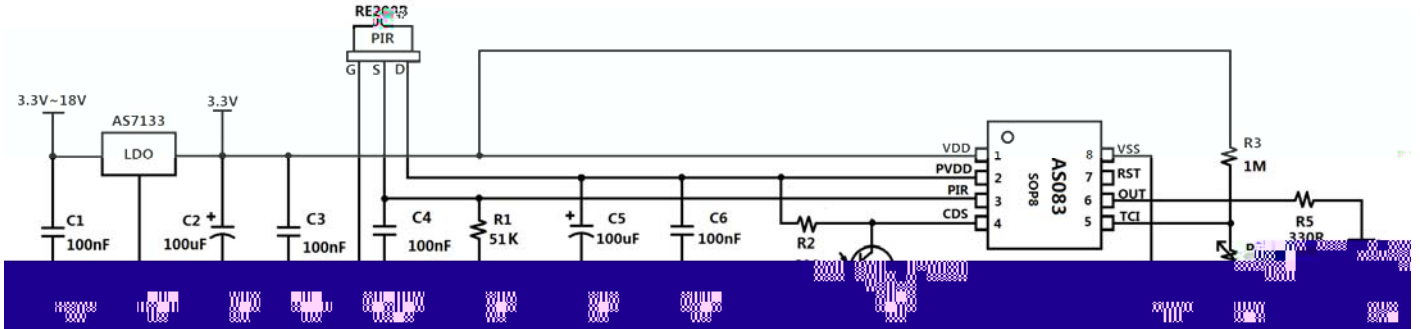
IC

SOP8

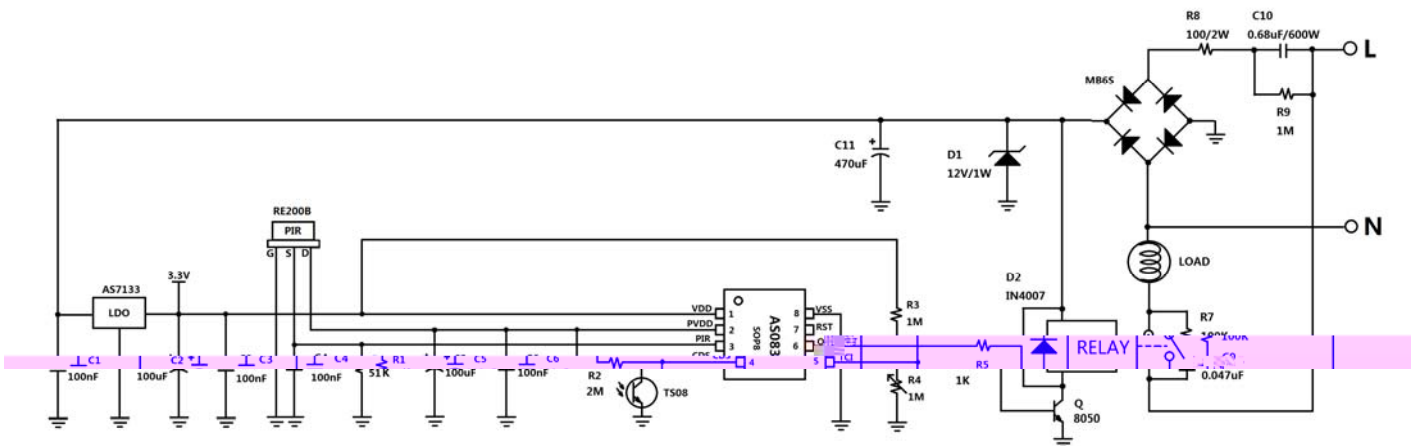
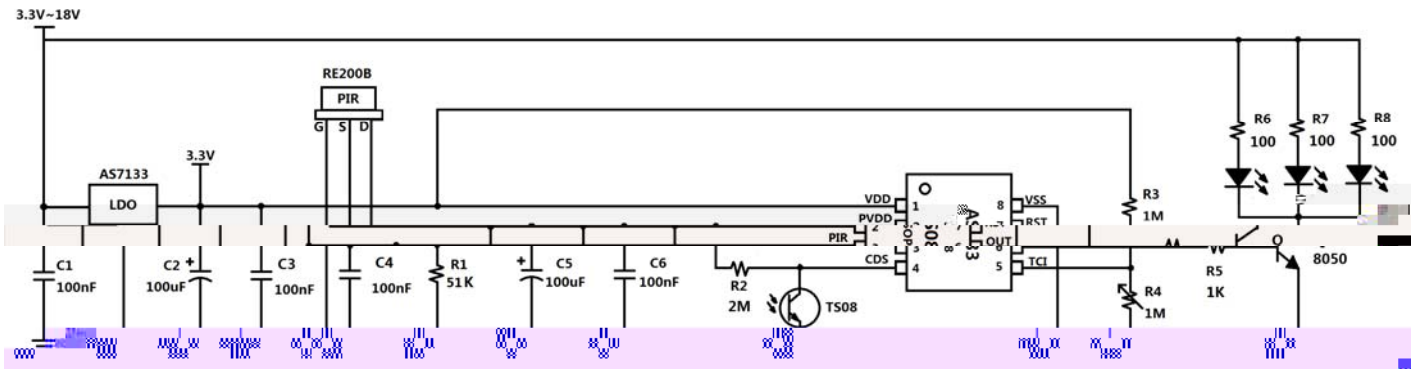


Dimension Limits	Units	MILLIMETERS		
		MIN	NOM	MAX
Number of Pins	N	8		
Pin Pitch	e	1.27 BSC		
Standoff Height	A	-	-	1.75
Lead Package Thickness	A2	1.25	-	-
Standoff ϕ	A1	0.10	-	0.25
Lead Width	E	6.00 BSC		
Lead Package Width	E1	3.90 BSC		
Lead Length	D	4.90 BSC		
Lead Length (optional)	h	0.25	-	0.50
Lead Length	L	0.40	-	1.27
Lead Print	L1	1.04 REF		
Lead Angle	ϕ	0°	-	8°
Lead Thickness	c	0.17	-	0.25
Lead Width	b	0.31	-	0.51
Lead Draft Angle Top	α	5°	-	15°
Lead Draft Angle Bottom	β	5°	-	15°

IC



LED

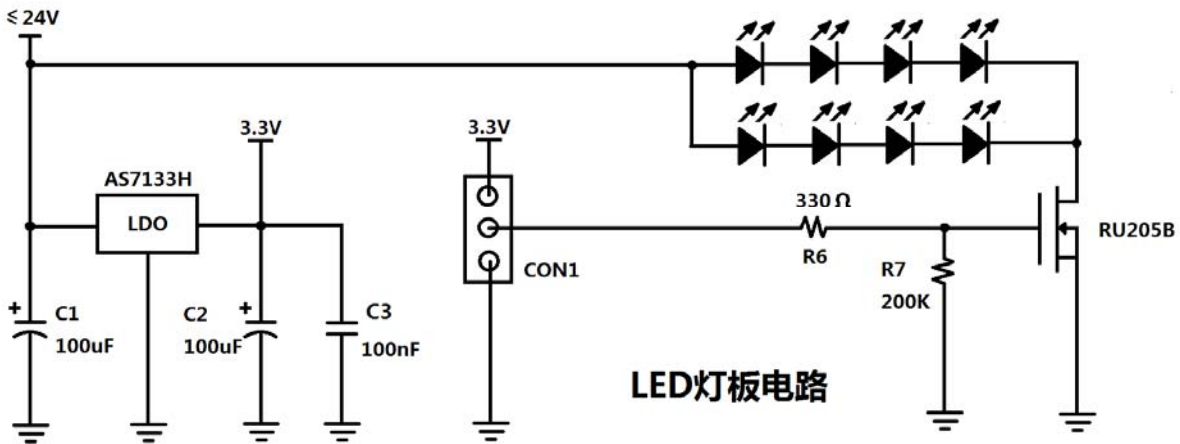
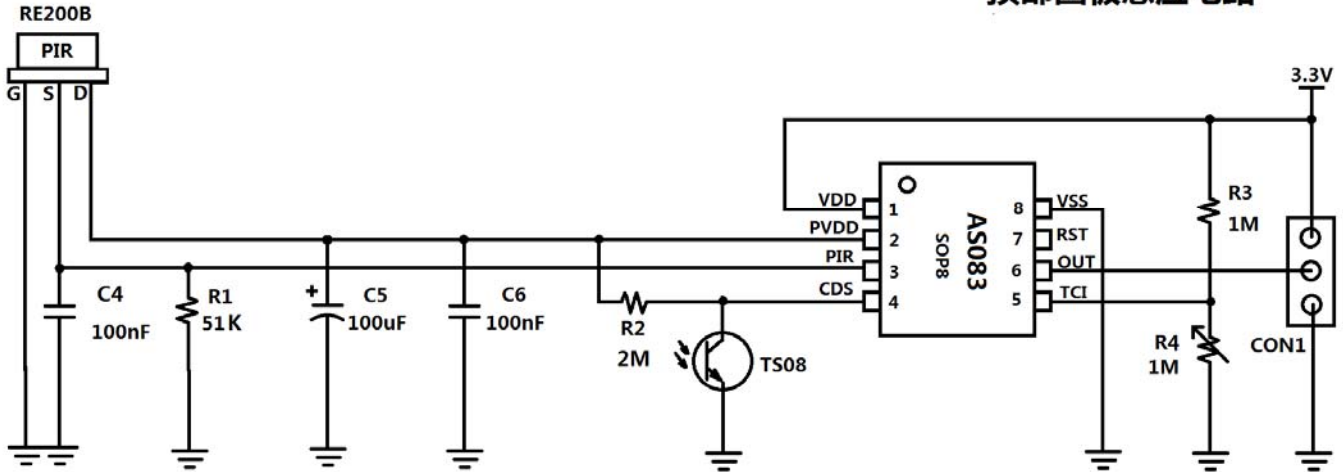


PIR
AS083-SS1

IC

LED

顶部圆板感应电路



LED灯板电路

